



FURNITURE COLLECTION

FOLDING BANQUET TABLES



FOLDING BANQUET TABLES ALU-LITE

Rectangular trestle tables and round banquet tables for hotels, banqueting halls, sports venues and wedding receptions.

Left: Round banquet tables



Folding Banquet Tables



Folding Banquet Tables

Key features:

- Waterproof and durable laminate surface
- Aluminium frame is lightweight and recyclable
- Resistant to corrosion, ideal for outdoor use
- Self locking folding mechanism
- Alu-Lite tables conform to the EU guidelines for lifting weights
- Nylon flush fit corners are fitted as standard on rectangular tables

Optional extras:

- Flock coating to reduce noise in busy venues
- Storage trolley

Quality:

The Alu-Lite range, with its patented engineering, is produced to a high-end specification, including 100% aluminium frames and 2.5mm solid laminate tops, which are heat resistant and waterproof, for strength and durability.



Folding Banquet Table
with T-Bar Legs

Flush fit corners:

Flush fit corners are standard on all rectangular Alu-Lite tables. The new nylon corners adds strength and improves corner impact resistance. It also incorporates a stacking buffer that allows tables to be stacked and stored with ease.





FOLDING BANQUET TABLES ALU-LITE

Left: Banquet Table Trolley

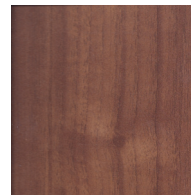


Banquet Table Trolley



Banquet Table Trolley

Finishes:



Walnut



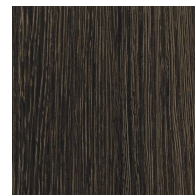
Beech



Oak



Ash



Wenge



Flocked



Sheffield



Anthracite
Powder Coated
Frame



Matte Brown
Powder Coated
Frame



Silver Sparkle
Powder Coated
Frame



Black
Powder Coated
Frame



Fast set-up/breakdown:

Both set-up and breakdown of rooms is quicker than with conventional banquet tables, with attendant implications for efficiency and cost-savings.



97% recyclable:

Alu-Lite tables are manufactured from aluminium (97%) and laminate resin (3%). All of the aluminium can be recovered and recycled.



Great for outdoor use:

Alu-Lite tables can be used and stored outside. Aluminium is inherently highly resistant to corrosion, making it particularly advantageous for use near coastal resorts.



Less Damage to Property:

The lower weight of these tables means that they cannot be used by staff to bang open doors, and they are less likely to cause damage to walls and doorframes.

Folding Banquet Tables - Standard Leg



AFT8075	80 cm	75 cm	7.8 kg
AFT1245	120 cm	45 cm	7.2 kg
AFT1260	120 cm	60 cm	8 kg
AFT1275	120 cm	75 cm	8.8 kg
AFT1545	150 cm	45 cm	8.5 kg
AFT1560	150 cm	60 cm	9.2 kg
AFT1575	150 cm	75 cm	9.8kg
AFT1845	180 cm	45 cm	9.7kg
AFT1860	180 cm	60 cm	10.2kg
AFT1875	180 cm	75 cm	10.9kg
AFT2045	200 cm	45 cm	10.7kg
AFT2245	220 cm	45 cm	11.5kg
AFT2475	240 cm	75 cm	14.5kg

	45cm	60cm	75cm
80cm			
120cm			
150cm			
180cm			
200cm			
220cm			
240cm			

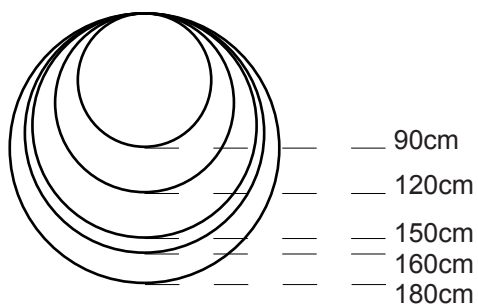
Folding Round Banquet Tables - Standard Leg



Standard height (for all Alu-Lite) = 73.5 cm

Special sizes available on request

AFT90D	90 cm	3 ft	9.8 kg
AFT12D	120 cm	4 ft	12 kg
AFT15D	150 cm	5 ft	14.5 kg
AFT16D	160 cm	5 ft	16.5 kg
AFT18D	180 cm	6 ft	20 kg



Folding Banquet Table - T-Bar T-Leg



AFT8075	80 cm	75 cm	7.8 kg
AFT1245	120 cm	45 cm	7.2 kg
AFT1260	120 cm	60 cm	8 kg
AFT1275	120 cm	75 cm	8.8 kg
AFT1545	150 cm	45 cm	8.5 kg
AFT1560	150 cm	60 cm	9.2 kg
AFT1575	150 cm	75 cm	9.8kg
AFT1845	180 cm	45 cm	9.7kg
AFT1860	180 cm	60 cm	10.2kg
AFT1875	180 cm	75 cm	10.9kg
AFT2045	200 cm	45 cm	10.7kg
AFT2245	220 cm	45 cm	11.5kg
AFT2475	240 cm	75 cm	14.5kg

	45cm	60cm	75cm
80cm			
120cm			
150cm			
180cm			
200cm			
220cm			
240cm			

Standard lightweight folding banquet table sizes:

5ft banquet tables / 150cm or 160cm long / 60 inch banquet tables

6ft banquet tables / 180cm long / 72 inch banquet tables

8ft banquet tables / 240cm long / 94 inch banquet tables

5ft round banquet tables / 150cm or 160cm diameter / 60 inch round banquet tables

6ft round banquet tables / 180cm diameter / 72 inch round banquet tables

Special sizes available on request

Standard height (for all Alu-Lite) = 73.5 cm



HEAVY DUTY FOLDING BANQUET TABLES - FOLD-RITE

Folding banquet tables with a heavy duty steel frame.



Folding Round Banquet Table with Heavy Duty Steel Frame and HDC sealed wood top



Folding Banquet Table with Heavy Duty Steel Frame and Finnish Birch sealed wood top

Key features:

- High density MDF or Finnish Birch wooden top
- Aluminium edge as standard
- Steel frames with powder coating finish
- Self locking folding mechanism

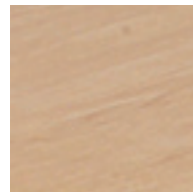
Optional extras:

- 2.5mm PVC protective edging in plywood effect
- Table linking system
- Transport trolley

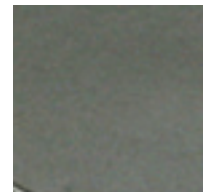
Finishes:



High Density Chipboard (Sealed Wood)



Finnish Birch (Sealed Wood)



Textured Nylon (Flocking)



Matt Brown Powder Coating



Silver Sparkle Powder Coating



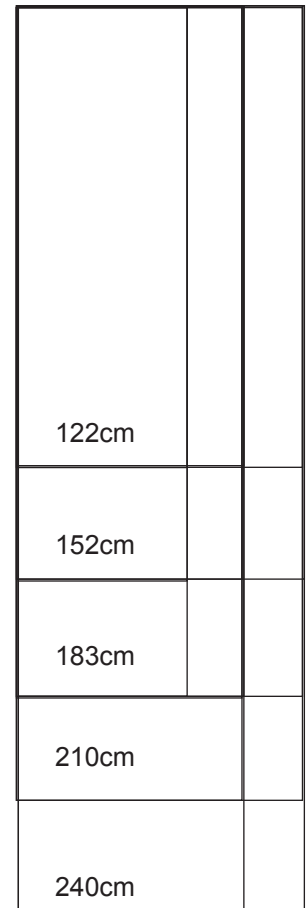
Black Powder Coating

Rectangular Banquet Table - Finnish Birch

45cm
60cm
76cm



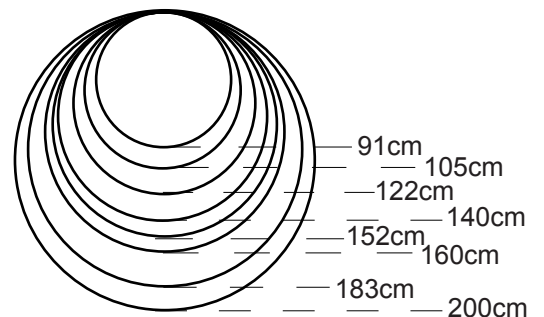
PR45	122 x 45 cm	18kg	PR47	183 x 45 cm	20kg
PR60	122 x 60 cm	17kg	PR62	183 x 60 cm	19kg
PR76	122 x 76 cm	18kg	PR78	183 x 76 cm	20kg
PR46	152 x 45 cm	19kg	PR63	210 x 60 cm	20kg
PR61	152 x 60 cm	18kg	PR79	210 x 76 cm	22kg
PR77	152 x 76 cm	19kg	PR64	240 x 60 cm	21kg
			PR80	240 x 76 cm	24kg



Round Banquet Table - HDC



PC10	91 cm ø	16.2kg
PC11	105 cm ø	19kg
PC12	122 cm ø	24.3kg
PC13	140 cm ø	
PC14	152 cm ø	35.5kg
PC14A	160 cm ø	40kg
PC15	183 cm ø	45kg
PC16	200 cm ø	



Standard heavy duty folding banquet table sizes:

5ft banquet tables / 152cm or 160cm long / 60 inch banquet tables

6ft banquet tables / 183cm long / 72 inch banquet tables

8ft banquet tables / 240cm long / 94 inch banquet tables

5ft round banquet tables / 152cm or 160cm diameter / 60 inch round banquet tables

6ft round banquet tables / 183cm diameter / 72 inch round banquet tables

Special sizes available on request

Standard Heights on all Fold-Rite banquet tables = 72, 73.5, 76 cm